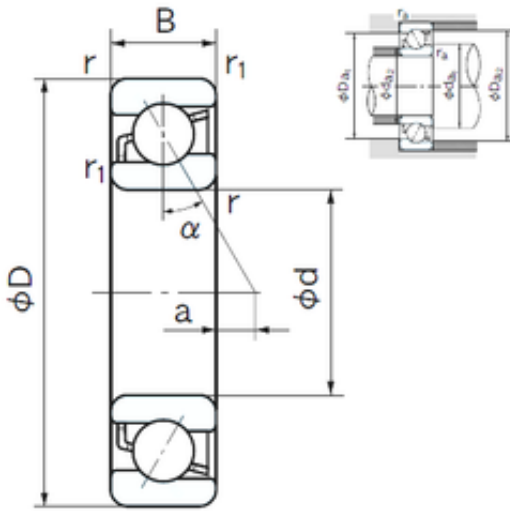




China 608rs Bearing Supplier



7210 Bearing 2D drawings and 3D CAD models

NACHI Angular Contact Ball Bearing 7210

Bearing No. 7210

Size	50x90x20 mm
Bore Diameter	50 mm
Outer Diameter	90 mm
Width	20 mm
d	50 mm
D	90 mm
B	20 mm
C	20 mm
Angle (°)	30 °
a	10.2 mm
r min.	1.1 mm
r1 min.	0.6 mm
da min.	57 mm
Da max.	83 mm
ra max.	1 mm
Weight	0.485 Kg
Basic dynamic load rating (C)	41 kN
Basic static load rating (C0)	31,5 kN
(Grease) Lubrication Speed	6300 r/min
Configuration	Single Row
Enclosure	Open
Bore Type	Cylindrical Bore
Bore Size	50 mm
Outside Diameter	90 mm
Width	20 mm
Fillet Radius/Chamfer	1.1 mm



China 608rs Bearing Supplier

r1	0.6 mm
Dynamic Load Rating	41,000 N
Static Load Rating	31,500 N
Limiting Speed - Grease	6,300 rpm
Limiting Speed - Oil	8,500 rpm
da1 (min)	57 mm
da2 (min)	55 mm
Da1 (max)	83 mm
Da2 (max)	85 mm
ra (max)	1 mm
ra1 (max)	0.6 mm